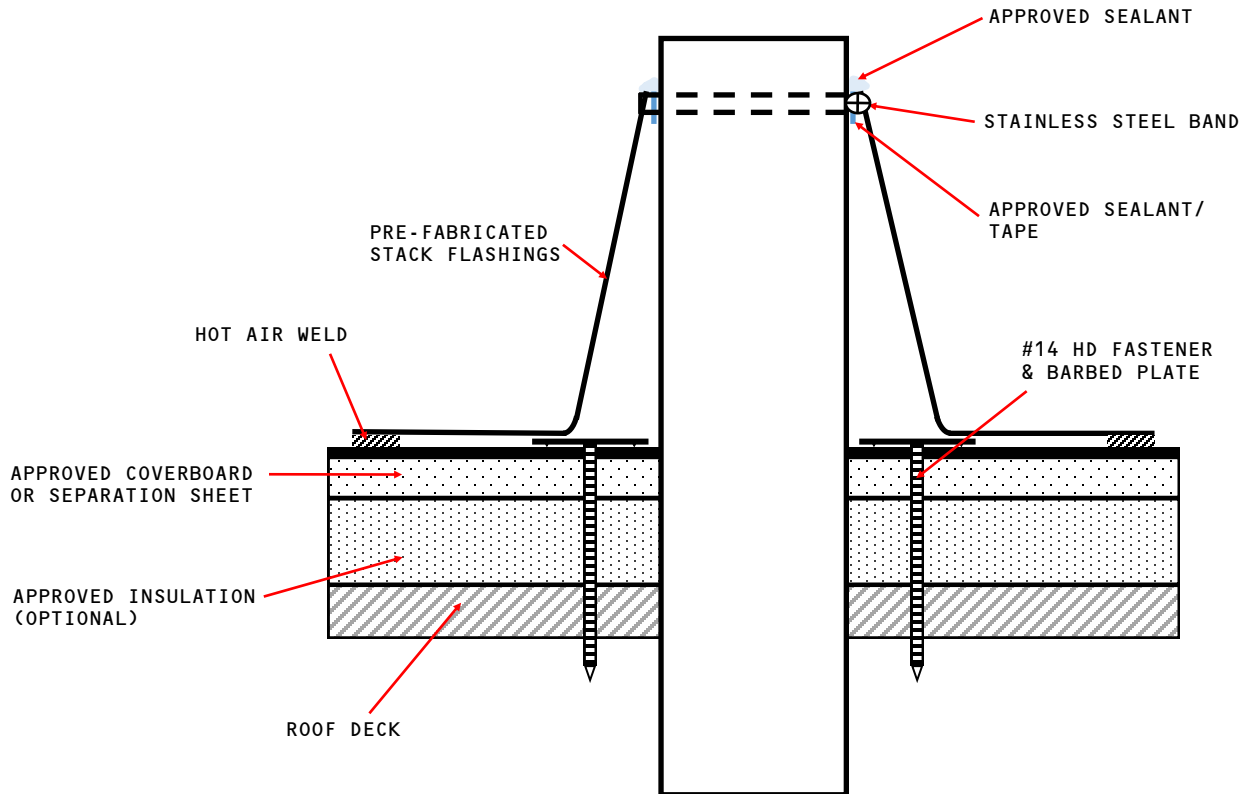




PHOENIX
PRODUCTS™

Pre-Fab Stack Flashing Detail PS-GC 7



NOTES: EXPOSED SEALANTS ARE A MAINTENANCE ITEM AND ARE THE RESPONSIBILITY OF THE BUILDING/HOMEOWNER